

1

2

3

4

5

6

A

A

B

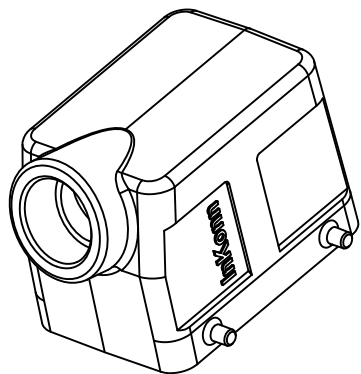
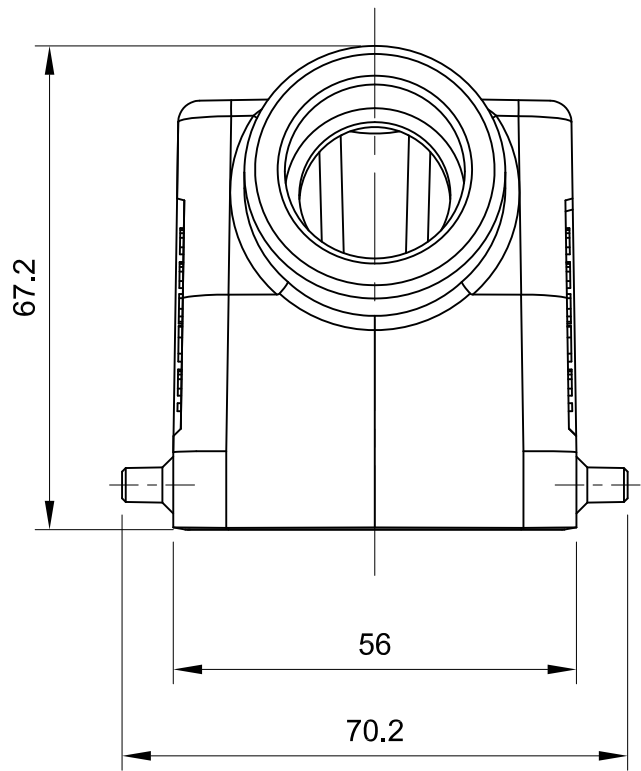
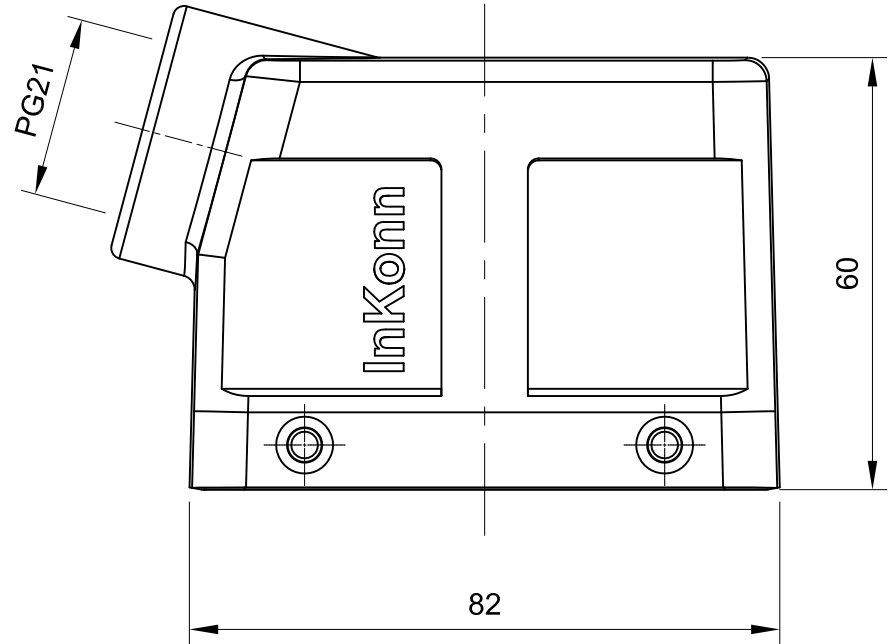
B



C

C

D

D



 <b>InKonn®</b> InKonn (Suzhou) Electric Technology Co.,Ltd.	 All Dimensions in mm Original Size DIN A4	Date 2021-06-16	Drawing No. TC6775264	Rev. A00	Scale 1:1
	Part No. 10 01 832 0143	Created by Shuxu Huang	Checked by Yiyi Luo	Page 1/1	
Type Name HA32-SE-QB-PG21					

1

2

3

4

5

6